

Model HC3 460SJ

TELESCOPIC BOOM LIFTS



Preliminary version

HIGHER CAPACITY

- Lift more with new capacity - 300 kg unrestricted up until 454 kg restricted.

BETTER OUTREACH

- 3 working zones- be more flexible working safety at high with one machine.

MORE EFFICIENCY

- 3 people allowed into the basket at the same time
- Zero calibration automatic load sensing system - there is no need for using external weight to calibrate the machine
- Chassis tilt indicator with the light alarm of 5 °.

SMART DESIGN

- New light panel- information/ details on the panel are more visible in the sun
- New hose and cable routing- closed under protective cover.



Standard Features

- Full proportional drive joystick control with integral thumb steer switch
- Full proportional main boom and swing joystick control
- Multiple speed control for telescope and platform rotate
- Selectable creep speed on drive / lift and swing functions
- 1.83 m articulating jib
- 180 degree powered platform rotator
- Platform console machine status light panel
- Load sensing system
- Engine distress warning/shut down system
- Dura Tough turntable hoods
- Swing-out engine tray
- Spark arresting type muffler
- Control ADE® - Advanced Design Electronics System
- Hydrostatic drive transmission
- Four wheel drive
- Horn
- 5 degree tilt alarm and indicator light
- Oscillating front axle
- Lifting/tie down lugs
- Hour meter
- Ground control selector switch with key lock
- Platform tool tray

Standard Specifications

Diesel Engine	Deutz T41 D 2.3 L3 36.5 kW
Fuel Tank Capacity	83,28 L
Hydraulic System	136.28 L
Auxiliary Power	12 DC
Tyres (Foam Filled)	14 x 17.5
Tyres (D610 Foam Filled)	33 x 12
Tyres Non- marking	14 x 17.5

Accessories & Options

- 0.91 m x 1.83 m low mount platform
- 0.91 m x 2.44 m low mount platform
- Platform (36x72), tri-entry, swing gate
- Platform (36x72), tri-entry, drop bar
- Platform (36x96), tri-entry, swing gate
- Platform (36x96), tri-entry, drop bar
- AC cable to platform
- 13 mm air line to platform
- Deutz D2.3 L3 (36.4 kW) diesel engine
- 14 x 17.5 foam filled lug tread tyres
- On-board 4,000 W generator
- SkyPower® package 7,500 watt on-board generator
- SkyWelder® package 250 amp welder in the platform
- Nite-Bright® package
- Tow Package
- All motion alarm
- Light package
- Platform worklights
- Head and tail lights
- Flashing amber beacon
- Plugs & Sockets
- Hostile environment package
- Hydraulic oil cooler
- Catalytic Purifier Muffler
- Skyguard with beacon
- Skyguard without beacon
- Corner storage tray
- 12V DC auxiliary power

Model HC3 460SJ

TELESCOPIC BOOM LIFTS

Performance

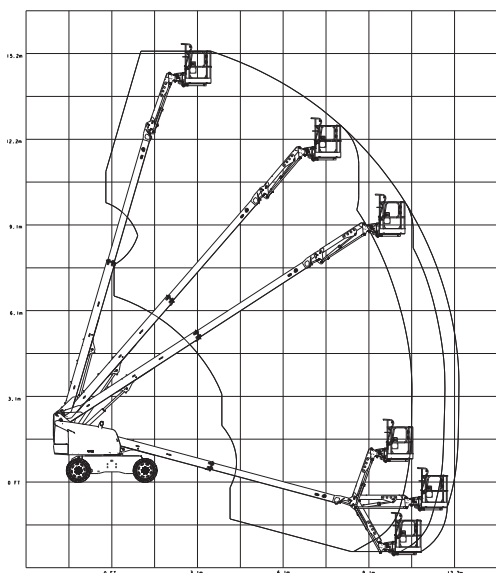
• Working Height	14.21 m
• Platform Height	14 m
• Horizontal Outreach	12.35 m
• Working Outreach*	13 m
• Swing continuous	360°
• Platform Capacity – Unrestricted	300 kg
• Platform Capacity – Restricted	340/454 kg
• Platform Rotator	180°
• Jib – Overall Length	6ft
• Jib – Range of articulation	131°
A. Platform Size	0.91 m x 2.44 m
B. Overall Width	2.3 m
C. Tailswing (working condition)	0.86 m
D. Stowed Height	2.45 m
E. Stowed Length	9.1 m
F. Wheelbase	2.38 m
G. Ground Clearance	0.3 m
• Machine weight	8736 kg
• Maximum Ground Bearing Pressure	569 km/h
• Maximum Tyre Load	4808 kg
• Drive Speed 4WD	6.84 km/h
• Gradeability 4WD	45%
• Axle Oscillation	0.11 m
• Turning Radius	
Inside	2.42 m
Outside	5.16 m

Preliminary version

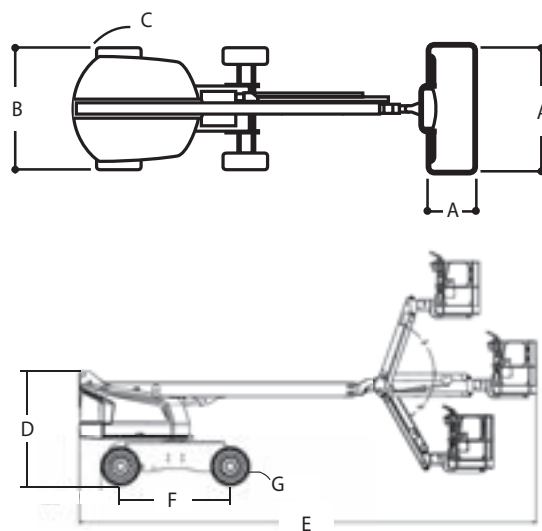


*incl. 0.65m outreach beyond platform

Reach Diagram



Dimensions



IMPORTANT

JLG is continually researching and developing products and reserves the right to make modifications without prior notice. All data in this document is indicative. Certain options or country standards will increase weight. Specifications may change to meet country standards or with the addition of optional equipment.

Due to continuous product improvements, JLG Industries reserves the right to make specification and/or equipment changes without prior notification.



JLG EMEA BV

Polaris Avenue 63
2132 JH Hoofddorp
The Netherlands
Phone: +31 (0)23 565 5665
www.jlg.com

An Oshkosh Corporation Company